

COASTER® 460213(B1&B2)

FINE FURNITURE

TWIN/TWIN BUNK BED

ASSEMBLY INSTRUCTIONS COASTER FINE FURNITURE



www.coastercompany.com

ASSEMBLY TIPS:

1. Remove hardware from box and sort by size
2. Please check to see that all hardware and parts are present prior to start of assembly.
3. Please follow attached instruction in the same sequencs as numbered to assure fast & easy assembly.



Warning!

1. Don't attempt to repair or modify parts that are broken or defective. Please contact the store immediately.
2. This product is for home use only and not intended for commercial establishment

PARTS IDENTIFICATION

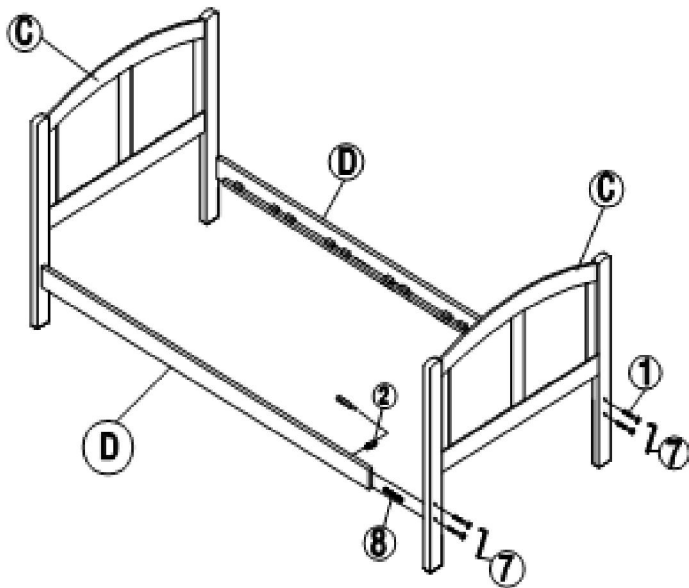
AR		RIGHT UPPER BED END	1PC	G		BED SLAT	12PCS
BL		LEFT UPPER BED END	1PC	H		SQUARE TRESTLE BAR	1PC
C		LOWER BED END	2PCS	I		FLAT TRESTLE BAR	3PCS
D		BED RAIL WITHOUT HOLE	2PCS	J		LEFT LADDER STILE	1PC
D1		BED RAIL WITH HOLE	2PCS	K		RIGHT LADDER STILE	1PC
E		LONG GUARDRAIL	2PCS	L		LADDER STEP	4PCS
F		SHORT GUARDRAIL	2PCS				

HARDWARE IDENTIFICATION

1		LONG BOLT	24PCS	5		LONG WOOD SCREW	24PCS
2		BARREL NUT	24PCS	6		METAL PIN	4PCS
3		SHORT BOLT	14PCS	7		ALLEN WRENCH	1PC
4		ALLEN CAP SCREW	8PCS	8		WOOD DOWEL	16PCS
				9		SHORT WOOD SCREW	2PCS

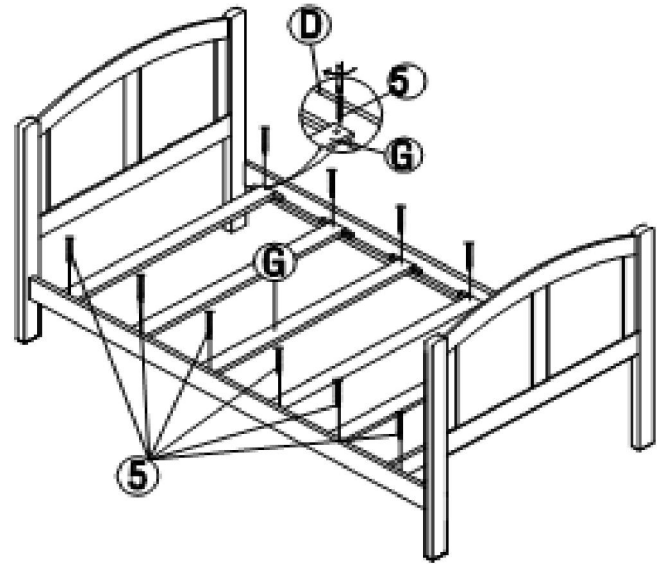
STEP 1

Insert wood dowels to both ends of bed rail without hole. Align and fasten bed rails to lower bed end using long bolt and barrel nut and tighten with Allen wrench



STEP 2

Align and fasten bed slats to bed rail using long wood screw and tighten with screw driver (not included).



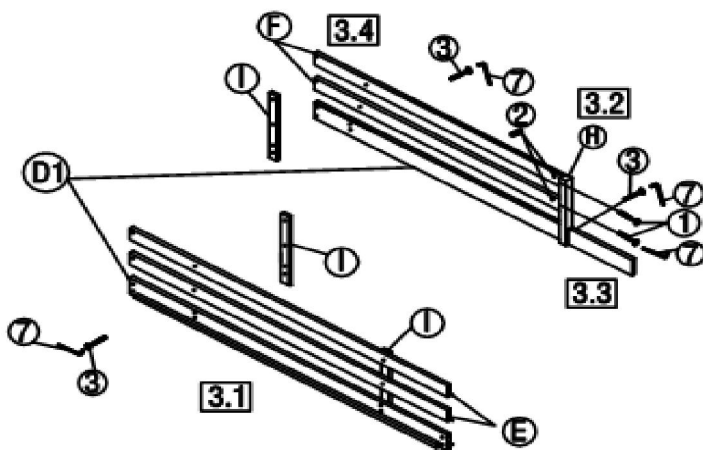
STEP 3

3.1 Align and fasten flat trestle bar to bed rail with hole and long guardrail by using short bolt and tighten with Allen wrench.

3.2 Align and fasten short guardrails to square trestle bar using barrel nut and long bolt and tighten with Allen wrench

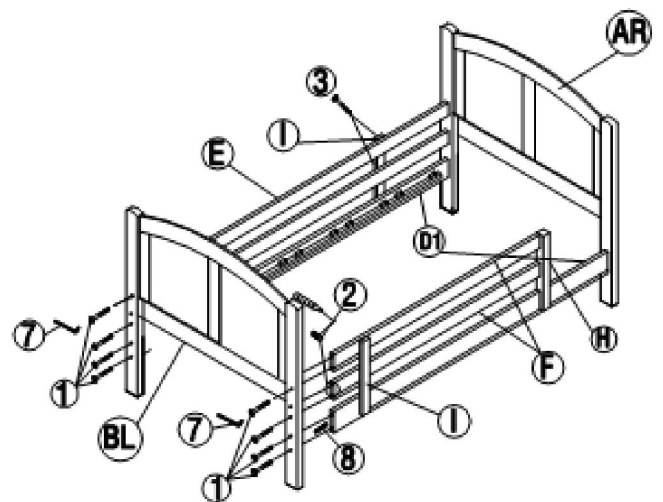
3.3 Align and fasten square trestle bar to bed rail with hole using short bolt and tighten with Allen wrench

3.4 Align and fasten flat trestle bar to short guardrail and bed rail with hole using short bolt and tighten with Allen wrench



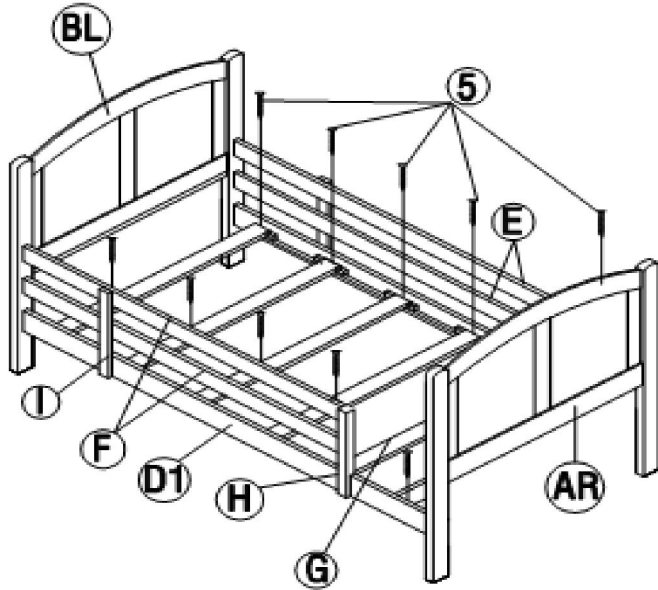
STEP 4

Insert wood dowel to both ends of bed rails with holes. Align and fasten guardrails and bed rail with hole to upper left and right bed end using long bolt and tighten with Allen wrench.



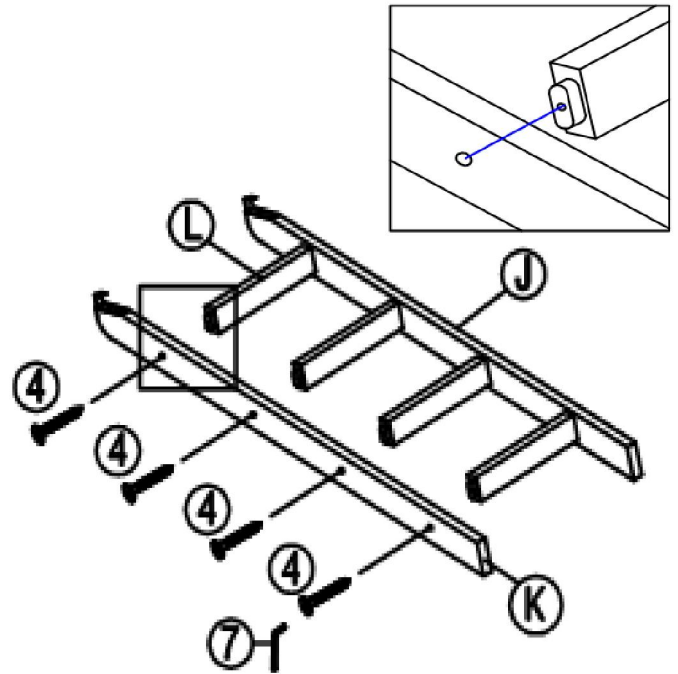
STEP 5

Align and fasten bed slats to bed rail with hole by using long wood screw and tighten with screw driver(not included).



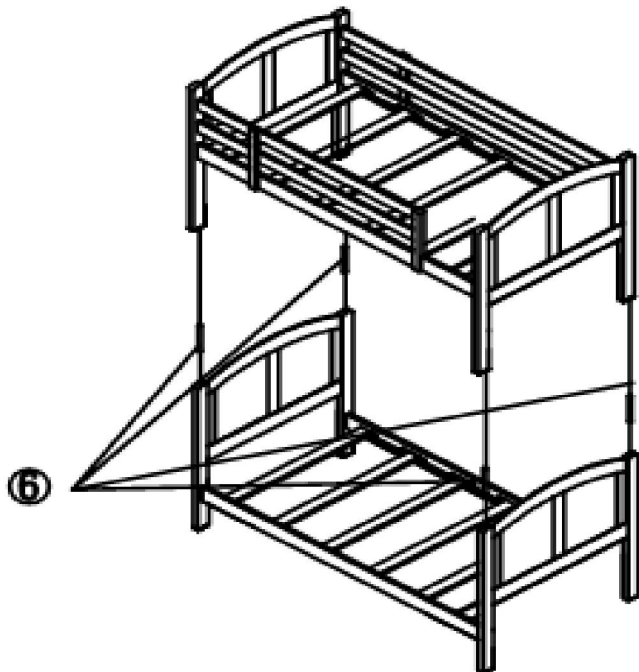
STEP 6

Align and fasten ladder stiles to ladder step using Allen cap screw and tighten with Allen wrench.



STEP 7

Insert metal pin to the top of lower bed ends, then align and place the upper bed end onto the pin.



STEP 8

Align and fasten the ladder to bed rail using short wood screw and tighten with screw driver(not included).



SAFETY WARNING

Coaster puts your child's safety as a Top Priority. Our bunk beds have been tested by an independent laboratory and are certified to be in compliance with ASTM F-1427, "Standard Consumer Safety Specification for Bunk Beds" and U.S. Government specifications 16 Code of Federal Regulations, parts 1213 and 1513.

- 1 Follow the information on the warning attached to the upper bunk end structure and on the carton. Do not remove this label.
 - 2 Always use the recommended size mattress or mattress support or both to help prevent the likelihood of entrapment or falls.
 - 3 Surface of mattress must be at least five inches (127mm) below the upper edge of guardrails.
 - 4 Do not allow children less than six years of age to use the upper bunk.
 - 5 Prohibit more than one person on upper bunk.
 - 6 Periodically check and ensure that the guardrail, ladder and other components are in their proper position, free from damage, and that all connectors are tight.
 - 7 Do not allow horseplay on or under the bed and prohibit jumping on the bed.
 - 8 Always use the ladder for entering and leaving the upper bunk.
 - 9 Do not use substitute parts. Contact the manufacturer or dealer for replacement parts.
 - 10 Use of a night light may provide added safety precaution for a child using upper bunk.
 - 11 If the bunk bed will be placed next to a wall, the guardrail that runs the full length of the bed should be placed against the wall to prevent entrapment between the bed and the wall. (This applies only to bunk beds without two full-length guardrails.)
 - 12 Always use guardrails on both long sides of the upper bunk.
 - 13 The use of water or sleep flotation mattress is prohibited.
 - 14 Keep these instructions for future reference.
- STRANGULATION HAZARD:**
- 15 Never attach or hang items to any part of the bunk bed that are not designed for use with the bed for example, but not limited to hooks, belts, and jump ropes.

SIZE OF MATTRESS AND FOUNDATION:

Use only mattress which is 37 ½" – 38 ½" in width and 75" in length. The total thickness of mattress and foundation (slat kit, bunk board, etc.) combined must not exceed 6"

Note: There must be at least 5" from mattress sleeping surface to top edge of guardrail.

REPLACEMENT PARTS:

Replacement parts, including additional guardrails may be obtained from any COASTER Furniture Dealer.



WARNING

TO PREVENT SERIOUS OR FATAL INJURY

1. When using beds as bunk beds, the ladder **MUST** be securely attached to the upper bunk rail at all times.
2. When using the beds as two (2) separate floor-standing beds, the ladder **MUST** be stored in a separate location where children cannot use the ladder in any manner.
3. **DO NOT** use, nor permit children to use, the ladder in any manner whatsoever, other than to access the top unit when used as bunk beds, and only if the ladder is securely attached to the top bunk rail, as set forth in the instructions.
4. Any misuse or unauthorized use of the ladder could result in serious or fatal injury.
5. Failure to follow the above **WARNING**, and/or failure to follow assembly instructions completely, will void any and all liability of **COASTER COMPANY OF AMERICA** for damages and injury to persons and property.

COASTER[®]
FINE FURNITURE

www.coastercompany.com | 877- COASTER (262-7838)